




Water level indicator with red line to indicate when full

Water fill hole

Volcanic rock layered at the bottom for better drainage

Rope wicks transfer water from tank to root system



Separate wheel housing



Fix the tyres in their corresponding spaces in the base section.

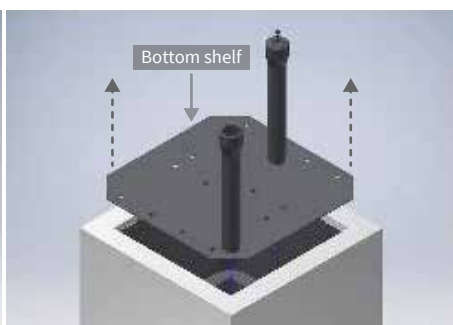
- Includes:**
- 1 Water level indicator with red line
 - 1 Platform with rope wicks
 - 4 Wheels (Optional)
 - 1 Drainage bag

If using outdoors consider creating an Overflow Drain.
For indoor use, ignore this step.



Creating an Overflow Drain in HF planters

When using indoors your Crescent Garden HF planters are completely sealed. However for outdoors it is important to include an overflow drain that will allow excess water from rain to flow out of your container and protect your plants from drowning. Here are some quick tips on how to do this.



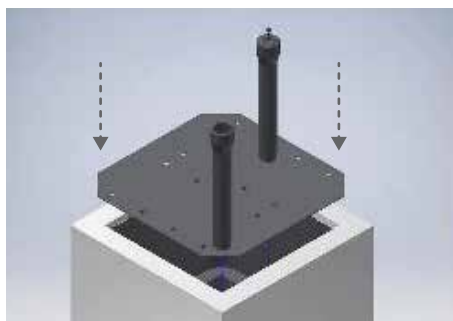
Step 1: Remove Components

You will need to delicately fold the bottom shelf of the self-watering insert to be able to pull it out from the inside of the planter.



Step 2: Create an Overflow

Drill at an angle a hole at the edge of the inner cone of the planter (use a 1/2 inch drill bit). You want to make sure hole is below where bottom shelf will sit when you reinstall the self-watering insert.



Step 3: Reassemble Planter

Place back all components inside planter. You are now ready to add your volcanic rock and plant your container.



Planting instructions

A drainage bag comes included with each Hydro-garden; its contents are sufficient to complete the following steps. Spread the drainage material uniformly on top of the conductors until they are covered by a layer approximately 2 centimeters.



Cover the drainage layer with soil, leaving a hole for each plant that you wish to plant in your Hydro-garden.



Before planting each plant in its corresponding hole we recommend that you loosen the roots (without breaking them), which will encourage the plants to take root in their new soil. If you intend to plant more than one plant, we suggest that you start with the biggest.



After planting the **FIRST** time, it is important to water the soil, slowly and at intervals until the soil and drainage layer is moist and the water tank is full. The level shown on the indicator rod will rise until the colour red starts to appear. Do not let the level rise beyond this point as it will be detrimental both for your plants and for the correct functioning of your Hydro-garden.



It is normal for the soil level to descend following the first time you water your Hydro-garden. We recommend that you use new soil to refill the garden up to its pre-watering level.

	Water tank capacity	Substrate cultivation capacity
BASIC ROUND		
BASIC Ø 35x35	3 Liters	18 Liters
BASIC Ø 42x40	5 Liters	38 Liters
BASIC Ø 50x40	8 Liters	49 Liters
BASIC Ø 60x50	11 Liters	73 Liters
BASIC SQUARE		
35x35x35	4 Liters	24 Liters
50x50x40	12 Liters	62 Liters
75x75x40	32 Liters	151 Liters
BASIC RECTANGLE		
75x35x40	13 Liters	65 Liters
110x40x40	25 Liters	114 Liters

Maintenance instructions.

ONLY REFILL THE WATER 4 TIMES A YEAR. If you wish, you can take the opportunity to add liquid fertilizer directly to the water tank before you refill it.

If after a few days the water level has descended or the indicator rod is at its minimum level, this does **NOT** mean that you should either partly or completely refill the water tank again. The water has been absorbed by the system and the soil.

You must **ONLY REFILL THE WATER TANK 4 TIMES A YEAR.** If you have planted plants with shallow roots, it is a good idea to lightly water the surface of the soil, preferably with a watering can.



Once a month, water lightly



Four times a year, refill water tank